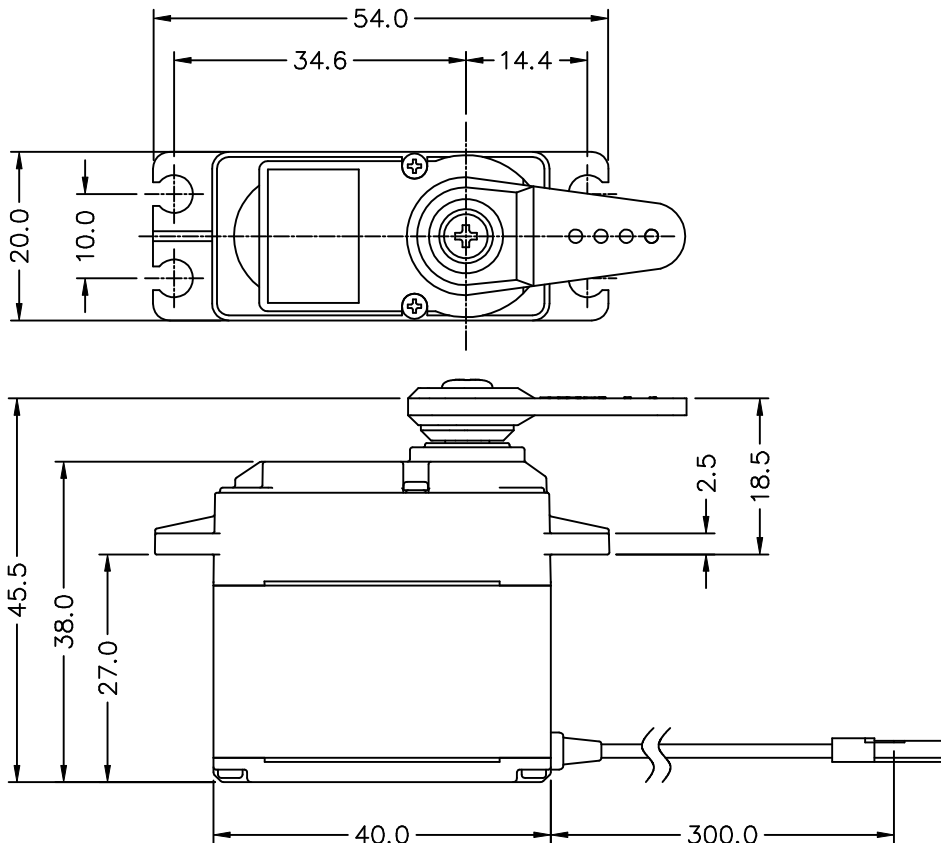


GENERAL SPECIFICATION OF HSR-M9382TH ULTRA TORQUE BLDC SERVO

1. TECHNICAL VALUE

CONTROL SYSTEM	:+PULSE WIDTH CONTROL 1500usec NEUTRAL	
OPERATING VOLTAGE RANGE	:6.0V TO 7.4V	
OPERATING TEMPERATURE RANGE	:-20°C TO +60°C(-4°F TO +140°F)	
TEST VOLTAGE	:AT 6.0V	AT 7.4V
OPERATING SPEED	:0.17sec/60° AT NO LOAD	0.14sec/60° AT NO LOAD
STALL TORQUE	:34.0kg.cm(472.16oz.in)	34.0kg.cm(472.16oz.in)
STANDING TORQUE	:-	-
IDLE CURRENT	:27mA AT STOPPED	27mA AT STOPPED
RUNNING CURRENT	:250mA/NO LOAD RUNNING	250mA/NO LOAD RUNNING
STALL CURRENT	:2700mA	2100mA
DEAD BAND WIDTH	:1usec	1usec
OPERATING TRAVEL	:ONE SIDE PULSE TRAVELING 400usec	
DIRECTION	:CLOCK WISE/PULSE TRAVELING 1500 TO 1900usec	
MOTOR TYPE	:BLDC	
POTENTIOMETER TYPE	:MAGNETIC ENCORDER	
AMPLIFIER TYPE	:DSPIC33 MCU DIGITAL AMPLIFIER WITH MOSFET DRIVE	
DIMENSIONS	:40x20x38mm(1.57x0.79x1.50in)	
WEIGHT	:72g(2.54oz)	
BALL BEARING	:DUAL/MR106	
GEAR MATERIAL	:1 MPD & 3 TITANIUM ALLOY	
HORN GEAR SPLINE	:25 SEGMENTS/∅6.1	
SPLINED HORNS	:HEAVY DUTY/HD-LS25,HD-IM25,HD-IM25,HD-OS25,HD-IL25,HD-LL25	
CONNECTOR WIRE LENGTH	:300mm(11.81in)	
CONNECTOR WIRE STRAND COUNTER	:80EA	
CONNECTOR WIRE GAUGE	:20AWG	



2. FEATURES

- PROGRAMMABLE DIGITAL AMPLIFIER WITH MOSFET DRIVE
- DURABLE TITANIUM ALLOY METAL GEARS WITH DUAL BALL BEARING
- ULTRA HARDNESS GEAR SHAFT WITH 2 AXIAL METAL BUSHING
- WATER & DUST RESISTANT
- MIDDLE METAL CASE

3. APPLICATIONS

LARGE AIR PLANE MODELS