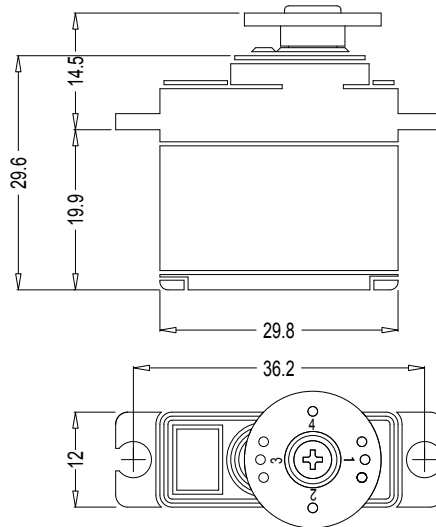


ANNOUNCED SPECIFICATION OF HS-81 SUB MICRO SERVO

1. TECHNICAL VALUES

| | | |
|-----------------------------|--|------------------------|
| CONTROL SYSTEM | :+PULSE WIDTH CONTROL 1500usec NEUTRAL | |
| OPERATING VOLTAGE RANGE | :4.8V TO 6.0V | |
| OPERATING TEMPERATURE RANGE | :-20°C TO +60°C | |
| TEST VOLTAGE | :AT 4.8V | AT 6.0V |
| OPERATING SPEED | :0.11sec/60° AT NO LOAD | 0.09sec/60° AT NO LOAD |
| STALL TORQUE | :2.6kg.cm(36.10oz.in) | 3kg.cm(41.66oz.in) |
| OPERATING ANGLE | :40°/ONE SIDE PULSE TRAVELING 400usec | |
| DIRECTION | :CLOCK WISE/PULSE TRAVELING 1500 TO 1900usec | |
| IDLE CURRENT | :8.8mA | 9.1mA |
| RUNNING CURRENT | :220mA AT NO LOAD | 280mA AT NO LOAD |
| DEAD BAND WIDTH | :8usec | |
| CONNECTOR WIRE LENGTH | :160mm (6.29in) | |
| DIMENSIONS | :29.8x12x29.6mm (1.17x0.47x1.16in) | |
| WEIGHT | :16.6g(0.58oz) | |



2. FEATURES

- 3-POLE FERRITE MOTOR
- HYBRID I.C
- DIRECT POTENTIOMETER DRIVE

3. APPLICATIONS

- AIRCRAFT UP TO 15 POUNDS
- 1/10TH SCALE STEERING