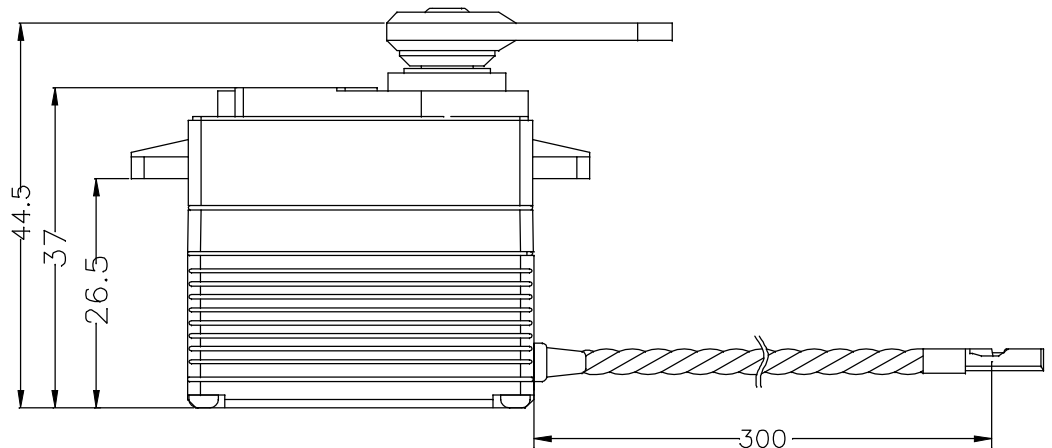
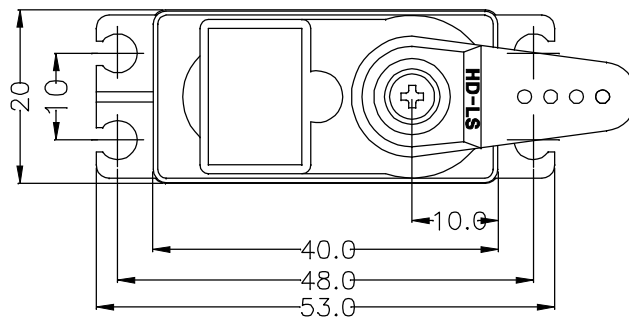


ANNOUNCED SPECIFICATION OF HS-7954SH HIGH VOLTAGE DIGITAL SERVO

1. TECHNICAL VALUE

CONTROL SYSTEM	:+PULSE WIDTH CONTROL 1500usec NEUTRAL	
OPERATING VOLTAGE RANGE	:6.0V TO 7.4V	
OPERATING TEMPERATURE RANGE	:-20°C TO +60°C(-4°F TO +140°F)	
TEST VOLTAGE	:AT 6.0V	AT 7.4V
OPERATING SPEED	:0.15sec/60° AT NO LOAD	0.12sec/60° AT NO LOAD
STALL TORQUE	:24.0kg.cm(333.29oz.in)	29.0kg.cm(402.73oz.in)
STANDING TORQUE	:-	
IDLE CURRENT	:8mA AT STOPPED	10mA AT STOPPED
RUNNING CURRENT	:300mA/NO LOAD RUNNING	360mA/NO LOAD RUNNING
STALL CURRENT	:4,200mA	5,200mA
DEAD BAND WIDTH	:2usec	2usec
OPERATING TRAVEL	:40±5°/ONE SIDE PULSE TRAVELING 400usec	
DIRECTION	:CLOCK WISE/PULSE TRAVELING 1500 TO 1900usec	
MOTOR TYPE	:CORELESS METAL BRUSH	
POTENTIOMETER TYPE	:6 SLIDER/INDIRECT DRIVE	
AMPLIFIER TYPE	:DIGITAL AMPLIFIER WITH MOSFET DRIVE	
DIMENSIONS	:40x20x37mm(1.57x0.78x1.45in)	
WEIGHT	:68.0g(2.40oz)	
BALL BEARING	:DUAL/MR106	
GEAR MATERIAL	:1 METAL-PLASTIC & 3 STEEL GEARS	
HORN GEAR SPLINE	:24 SEGMENTS/∅5.76	
SPLINED HORNS	:HEAVY DUTY/HD-IS, HD-O, HD-LS, HD-IL, HD-LL	
CONNECTOR WIRE LENGTH	:300mm(11.81in)	
CONNECTOR WIRE STRAND COUNTER	:80EA	
CONNECTOR WIRE GAUGE	:20AWG	



2. FEATURES

- V2.0 PROGRAMMABLE DIGITAL AMPLIFIER WITH MOSFET DRIVE
- DURABLE STEEL GEARS WITH DUAL BALL BEARING
- ULTRA HARDNESS SHAFT WITH 3 AXIAL METAL BUSHING
- WATER & DUST RESISTANCE
- HEAT SINK FOR MOTOR

3. APPLICATIONS

- LARGE AIR PLANE MODELS