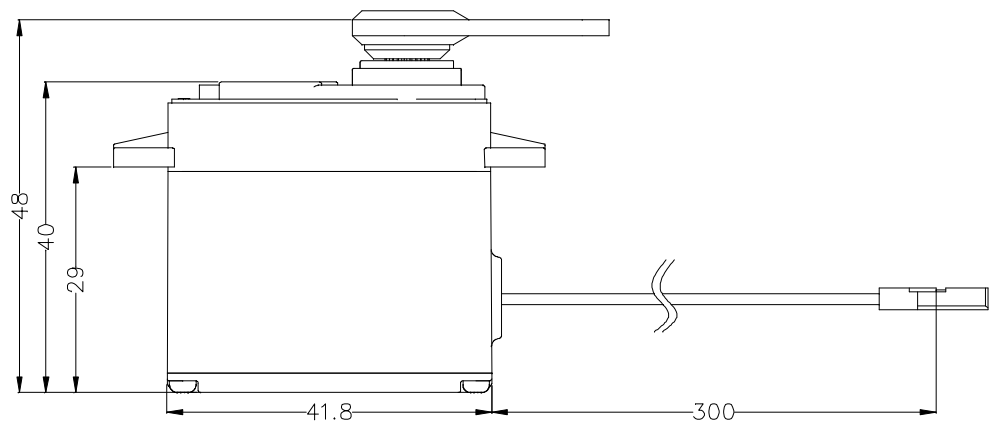
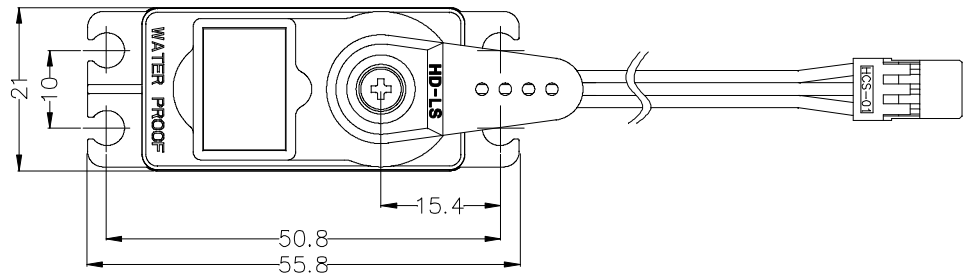


GENERAL SPECIFICATION OF HS-5646WP ULTRA TORQUE WATER PROOF SERVO

1. TECHNICAL VALUE

CONTROL SYSTEM	:+PULSE WIDTH CONTROL 1500usec NEUTRAL	
OPERATING VOLTAGE RANGE	:6.0V TO 7.4V	
OPERATING TEMPERATURE RANGE	:-20°C TO +60°C(-4°F TO +140°F)	
TEST VOLTAGE	:AT 6.0V	AT 7.4V
OPERATING SPEED	:0.2sec/60° AT NO LOAD	0.18sec/60° AT NO LOAD
STALL TORQUE	:11.3kg.cm(156.92oz.in)	12.9kg.cm(179.14oz.in)
STANDING TORQUE	:-	
IDLE CURRENT	:4.5mA AT STOPPED	4.5mA AT STOPPED
RUNNING CURRENT	:270mA/NO LOAD RUNNING	330mA/NO LOAD RUNNING
STALL CURRENT	:1670mA/	2100mA
DEAD BAND WIDTH	:4usec	
OPERATING TRAVEL	:40±5°/ONE SIDE PULSE TRAVELING 400usec	
DIRECTION	:CLOCK WISE/PULSE TRAVELING 1500 TO 1900usec	
MOTOR TYPE	:CORED METAL BRUSH	
POTENTIOMETER TYPE	:4 SLIDER/1M CYCLE LONG LIFE/INDIRECT DRIVE	
AMPLIFIER TYPE	:ATMEGA48 MCU DIGITAL AMPLIFIER WITH MOSFET DRIVE	
DIMENSIONS	:41.8x21.0x40.0mm(1.65x0.83x1.57in)	
WEIGHT	:61g(2.15oz)	
BALL BEARING	:DUAL MR106	
GEAR MATERIAL	:3 Metal gears & 1 MP first gear	
HORN GEAR SPLINE	:24 SEGMENTS/∅5.76	
SPLINED HORNS	:HEAVY DUTY/HD-IS,HD-O,HD-LS,HD-IL,HD-LL	
CONNECTOR WIRE LENGTH	:300mm(11.81in)	
CONNECTOR WIRE STRAND COUNTER	:0.08X60EA	
CONNECTOR WIRE GAUGE	:22AWG	
Duration of the test in water	:30min	



2. FEATURES

- IP67 WATER PROOF CASE
- DURABLE METAL GEARS WITH BALL BEARING
- ULTRA TORQUE
- HEAVY DUTY SPLINED HORNS

3. APPLICATIONS

- 60 HELICOPTERS
- GAS & ELECTRIC CARS
- BOATS