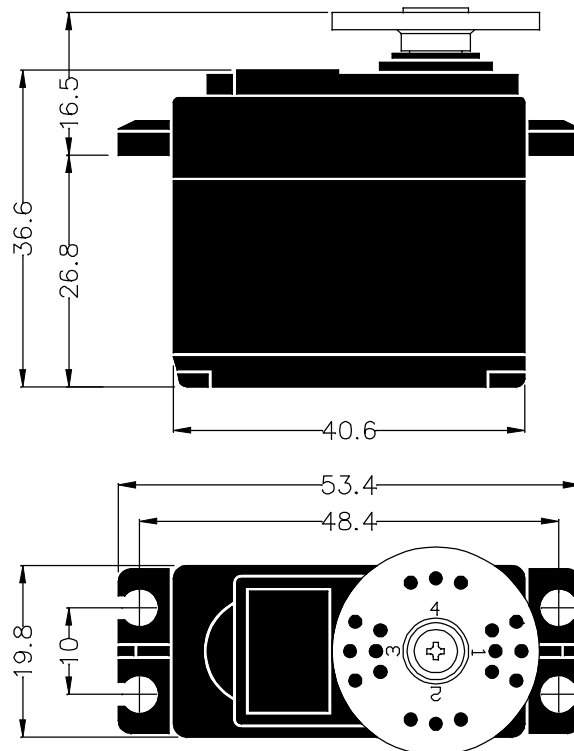


ANNOUNCED SPECIFICATION OF HS-422 STANDARD DELUXE SERVO

1. TECHNICAL VALUE

CONTROL SYSTEM	:+PULSE WIDTH CONTROL 1500usec NEUTRAL	
OPERATING VOLTAGE RANGE	:4.8V TO 6.0V	
OPERATING TEMPERATURE RANGE	:-20°C TO +60°C(-68°F TO +140°F)	
TEST VOLTAGE	:AT 4.8V	AT 6.0V
OPERATING SPEED	:0.21sec/60° AT NO LOAD	0.16sec/60° AT NO LOAD
STALL TORQUE	:3.1kg.cm(43.05oz.in)	3.9kg.cm(54.15oz.in)
STANDING TORQUE	:2.5kg.cm(34.71oz.in)/5° HOLD OUT 3.1kg.cm(43.05oz.in)/5° HOLD OUT	
IDLE CURRENT	:8mA AT STOPPED	8mA AT STOPPED
RUNNING CURRENT	:150mA/60° AT NO LOAD RUNNING	180mA/60° AT NO LOAD RUNNING
STALL CURRENT	:600mA	750mA
DEAD BAND WIDTH	:5usec	5usec
OPERATING TRAVEL	:40°/ONE SIDE PULSE TRAVELING 400usec	
DIRECTION	:CLOCK WISE/PULSE TRAVELING 1500 TO 1900usec	
MOTOR TYPE	:CORED/METAL BRUSH	
POTENTIOMETER TYPE	:6 SLIDER/INDIRECT DRIVE	
AMPLIFIER TYPE	:ANALOG AMPLIFIER	
DIMENSIONS	:40.6x19.8x36.6mm(1.59x0.77x1.44in)	
WEIGHT	:45.5g(1.6oz)	
BALL BEARING	:DUAL OILITE BUSHING	
GEAR MATERIAL	:POM RESIN	
HORN GEAR SPLINE	:24 SEGMENTS/∅5.76	
SPLINED HORNS	:REGULAR/R-C, R-D, R-I, R-O, R-X	
CONNECTOR WIRE LENGTH	:300mm(11.81in)	
CONNECTOR WIRE STRAND COUNTER	:40EA	
CONNECTOR WIRE GAUGE	:25AWG	



2. FEATURES

- LONG LIFE
- DUAL OILITE BUSHING
- INDIRECT POTENTIOMETER DRIVE

3. APPLICATIONS

- AIRCRAFT 20-60 SIZE
- 30 SIZE HELICOPTERS
- STEERING AND THROTTLE SERVO FOR CARS
- TRUCK AND BOATS