

GENERAL SPECIFICATION OF D840WP DIGITAL MEGA SCALE MULTI PURPOSE SERVO

1. TECHNICAL VALUE

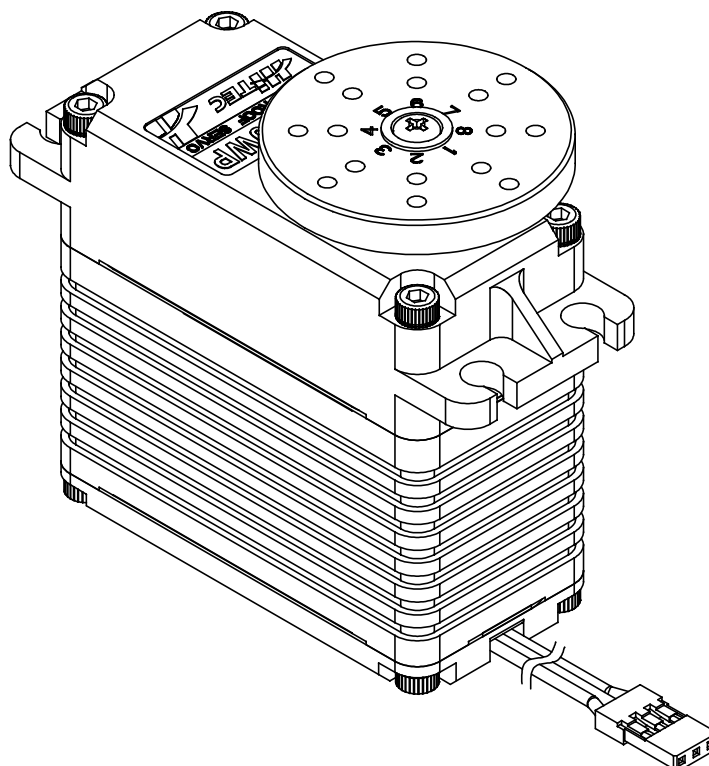
CONTROL SYSTEM	:+PULSE WIDTH CONTROL 1500usec NEUTRAL		
OPERATING VOLTAGE RANGE	:4.8V TO 7.4V		
OPERATING TEMPERATURE RANGE	:-20°C TO +60°C(-4°F TO +140°F)		
TEST VOLTAGE	:AT 4.8V	AT 6.0V	AT 7.4V
OPERATING SPEED	:0.17sec/60°	0.14sec/60°	0.11sec/60°
STALL TORQUE	:19.0kg.cm(265.31oz.in)	24.0kg.cm(335.13oz.in)	30.0kg.cm(418.91oz.in)
STANDING TORQUE	:-		
IDLE CURRENT	:30mA AT STOPPED	30mA AT STOPPED	30mA AT STOPPED
RUNNING CURRENT	:1100mA	1250mA	1600mA
STALL CURRENT	:5000mA	6000mA	9000mA
DEAD BAND WIDTH	:2usec	2usec	2usec
INPUT SIGNAL	:+5.0V 1500usec±400usec(±600usec WITH TRIM)		
OPERATING TRAVEL	:40°/ONE SIDE PULSE TRAVELING 400usec		
DIRECTION	:CLOCK WISE/PULSE TRAVELING 1500 TO 1900usec		
OPERATING LIFE	:-		
MOTOR TYPE	:CORED CARBON BRUSHES,5 POLES		
POTENTIOMETER TYPE	:INDIRECT DRIVE/ 1M CYCLE LONG LIFE		
AMPLIFIER TYPE	:DIGITAL AMPLIFIER WITH MOSFET DRIVE		
DIMENSIONS	::66.0x32.0x62.0mm(2.59x1.259x2.44in)		
WEIGHT	:227g(8.00oz)		
BALL BEARING	:TWO MR148		
GEAR MATERIAL	:ONE METAL-KARBONITE, 4 STEEL		
HORN GEAR SPLINE	:13 SEGMENT / ø7.7		
SPLINED HORNS	:1 Metal & 2 Resins (Q-MIA, Q-XA & QIA)		
CONNECTOR WIRE LENGTH	:300mm(11.81in)		
Duration of the test in water	:1M /30min (IP67)		

2. FEATURES

PROGRAMMABLE HIGH RESPONDENCE DIGITAL AMPLIFIER WITH MOSFET DRIVE
 DURABLE STEEL GEARS WITH DUAL BALL BEARING
 WATER & DUST RESISTANCE(IP67)
 HEAT SINK FOR MOTOR

3. APPLICATIONS

AIRPLANE ,GASOLIN CAR, INDUSTRY, UAV, ROBOTICS & SPECIAL EFFECTS



HITEC RCD KOREA INC.

