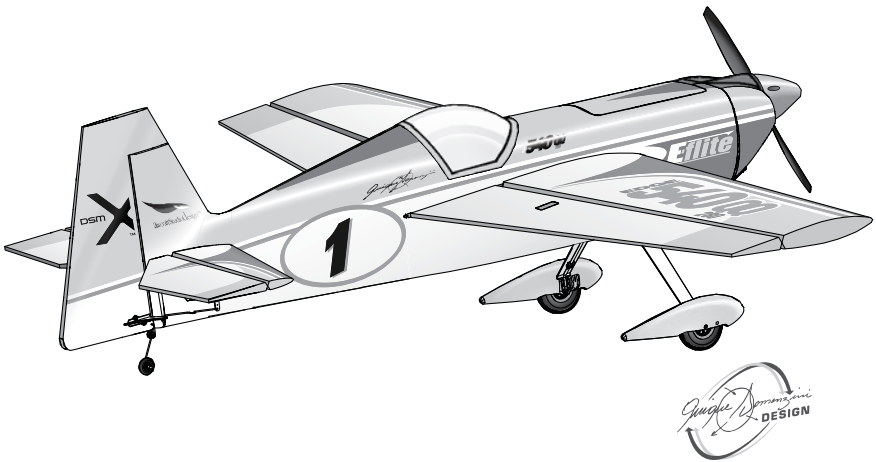


BNF
BASIC

EDGE 540QQ 280



***Instruction Manual
Bedienungsanleitung
Manuel d'utilisation
Manuale di Istruzioni***

E-flite[®]
ADVANCING ELECTRIC FLIGHT

NOTICE

All instructions, warranties and other collateral documents are subject to change at the sole discretion of Horizon Hobby, Inc. For up-to-date product literature, visit www.horizonhobby.com and click on the support tab for this product.

Meaning of Special Language:

The following terms are used throughout the product literature to indicate various levels of potential harm when operating this product:

NOTICE: Procedures, which if not properly followed, create a possibility of physical property damage AND little or no possibility of injury.

CAUTION: Procedures, which if not properly followed, create the probability of physical property damage AND a possibility of serious injury.

WARNING: Procedures, which if not properly followed, create the probability of property damage, collateral damage, and serious injury OR create a high probability of superficial injury.



WARNING: Read the ENTIRE instruction manual to become familiar with the features of the product before operating. Failure to operate the product correctly can result in damage to the product, personal property and cause serious injury.

This is a sophisticated hobby product. It must be operated with caution and common sense and requires some basic mechanical ability. Failure to operate this product in a safe and responsible manner could result in injury or damage to the product or other property. This product is not intended for use by children without direct adult supervision. Do not use with incompatible components or alter this product in any way outside of the instructions provided by Horizon Hobby, Inc. This manual contains instructions for safety, operation and maintenance. It is essential to read and follow all the instructions and warnings in the manual, prior to assembly, setup or use, in order to operate correctly and avoid damage or serious injury.

Age Recommendation: Not for children under 14 years. This is not a toy.

Safety Precautions and Warnings

- Always keep a safe distance in all directions around your model to avoid collisions or injury. This model is controlled by a radio signal subject to interference from many sources outside your control. Interference can cause momentary loss of control.
- Always operate your model in open spaces away from full-size vehicles, traffic and people.
- Always carefully follow the directions and warnings for this and any optional support equipment (chargers, rechargeable battery packs, etc.).
- Always keep all chemicals, small parts and anything electrical out of the reach of children.
- Always avoid water exposure to all equipment not specifically designed and protected for this purpose. Moisture causes damage to electronics.
- Never place any portion of the model in your mouth as it could cause serious injury or even death.
- Never operate your model with low transmitter batteries.
- Always keep aircraft in sight and under control.
- Always use fully charged batteries.
- Always keep transmitter powered on while aircraft is powered.
- Always remove batteries before disassembly.
- Always keep moving parts clean.
- Always keep parts dry.
- Always let parts cool after use before touching.
- Always remove batteries after use.
- Always ensure failsafe is properly set before flying.
- Never operate aircraft with damaged wiring.
- Never touch moving parts.

The *E-flite*® Edge 540QQ 280 BNF Basic, designed by world champion Quique Somenzini, has been specifically built to provide exceptional precision scale and 3D aerobatic performance so that you can fly from practically anywhere, such as a park or small field. Beyond the advanced composite-reinforced foam construction, you'll appreciate how its expert-approved control and power system components are installed, making it possible for you to get flying faster. Along with your favorite *DSM2*®/*DSMX*® compatible transmitter, you can further assure the value of this model is maintained by considering a quality 11.1V Li-Po flight battery, such as the *E-flite*® 450mAh 3S 11.1V 30C Li-Po, 18AWG JST (EFLB4503SJ30), and a reliable charger, such as the *E-flite*® *Celecra*™ 80W AC/DC Multi-Chemistry Battery Charger (EFLC3025).

Please be sure to read through this manual carefully so that you can successfully enjoy all the benefits this outstanding E-flite model has to offer.

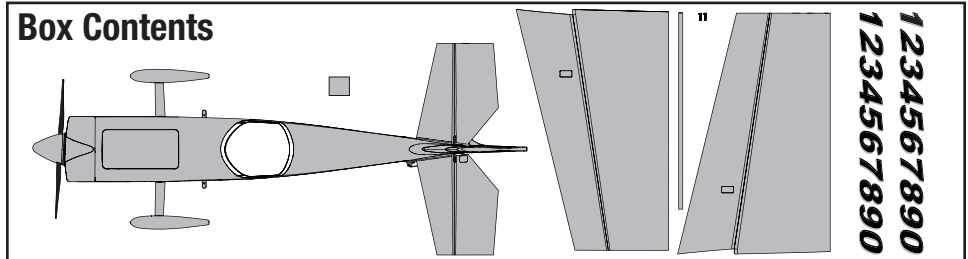
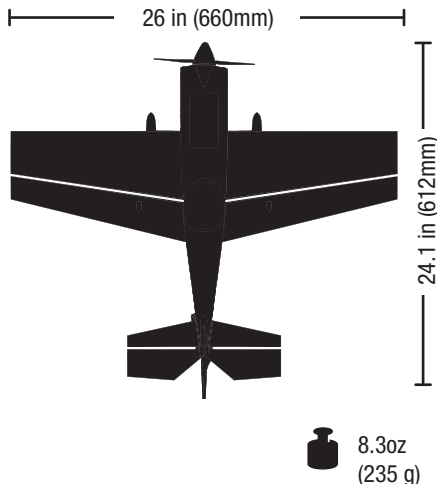






Table of Contents




Low Voltage Cutoff (LVC)	4	Removing the Landing Gear	11
Transmitter and Receiver Binding	4	Flying Tips and Repairs	12
Preflight Checklist.....	4	Post Flight Checklist	12
Installing the Flight Battery	5	Service of Power Components	13
Arming the ESC	6	Troubleshooting Guide	14
Installing the Wing	7	Limited Warranty	15
Control Direction Test	8	Warranty and Service Information	16
Control Centering.....	8	Compliance Information for the European Union..	16
Settings for Servo Arms	8	Replacement Parts.....	62
Dual Rates and Expos	9	Optional Replacement and Accessories.....	63
Adjusting Center of Gravity (CG)	10	Parts Contact Information	63
Applying Decals	10		



Installed

-  **Motor:** BL 280 Outrunner Motor, 1800Kv (EFLM7010)
-  BL Controller, 10A (EFLA7300)
-  AR6310 DSMX Nanolite 6Ch Rx, Air (SPMAR6310)
-  (3) 3.5 g Digital Servo (EFLR7100)

Needed to Complete

-  **Recommended Battery:** 450mAh 3S 11.1V 30C LiPo, 18AWG JST (EFLB4503SJ30)
-  **Recommended Battery Charger:** Celecra™ 80W AC/DC Multi-Chemistry Battery Charger (EFLC3025)
-  **Recommended Transmitter:** Full Range DSM2®/DSMX® with adjustable Dual rate and Adjustable exponential (DX6I and up)

Low Voltage Cutoff (LVC)

When a Li-Po battery is discharged below 3V per cell, it will not hold a charge. The aircraft's ESC protects the flight battery from over-discharge using Low Voltage Cutoff (LVC). Once the battery discharges to 3V per cell, the LVC will reduce the power to the motor in order to leave adequate power to the receiver and servos to land the airplane.

When the motor power decreases, land the aircraft immediately and replace or recharge the flight battery.

Always disconnect and remove the Li-Po battery from the aircraft after each flight. Charge your Li-Po battery to about half capacity before storage. Make sure the battery charge does not fall below 3V per cell. Failure to unplug a connected battery will result in trickle discharge.

For your first flights, set your transmitter timer or a stopwatch to 5 minutes. Adjust your timer for longer or shorter flights once you have flown the model. Flights of 7 minutes are achievable if using proper throttle management.

NOTICE: Repeated flying to LVC will damage the battery.

Preflight Checklist

✓	
	1. Charge flight battery.
	2. Install flight battery in aircraft (once it has been fully charged).
	3. Bind aircraft to transmitter.
	4. Make sure linkages move freely.
	5. Perform Control Direction Test with transmitter.
	6. Adjust center of gravity.
	7. Perform a radio system Range Check.
	8. Find a safe and open area.
	9. Plan flight for flying field conditions.

Transmitter and Receiver Binding

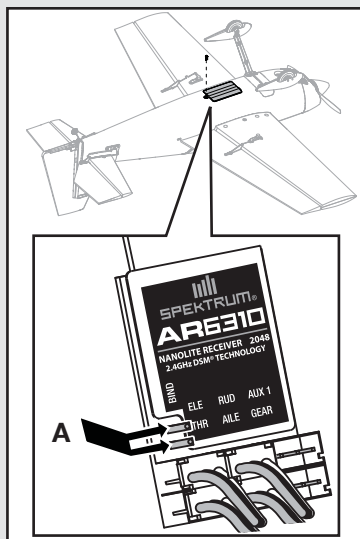
Binding is the process of programming the receiver of the control unit to recognize the GUID (Globally Unique Identifier) code of a single specific transmitter. You need to 'bind' your chosen Spektrum™ DSM2/DSMX technology equipped aircraft transmitter to the receiver for proper operation.

Any full range Spektrum DSM2/DSMX transmitter can bind to the DSM2/DSMX receiver. Please visit www.bindnfly.com for a complete list of compatible transmitters.

⚠ CAUTION: When using a Futaba transmitter with a Spektrum DSM module, you must reverse the throttle channel and rebind. Refer to your Spektrum module manual for binding and failsafe instructions. Refer to your Futaba transmitter manual for instructions on reversing the throttle channel.

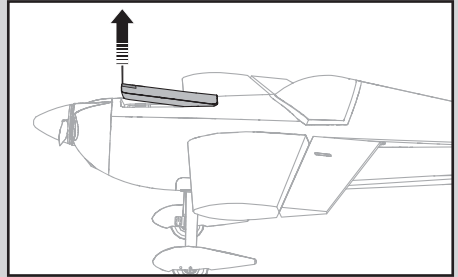
✓ Binding Procedure

1. Refer to your transmitter's unique instructions for binding to a receiver (location of transmitter's Bind control).
2. Make sure the flight battery is disconnected from the aircraft.
3. Power off the transmitter.
4. Bind the AR6310 receiver to a DSM2/DSMX transmitter by shorting the bind pins (A) with tweezers, a hemostat or small needle-nose pliers. Metal to metal contact is needed to complete the circuit. **Do not bend the bind pins.**
5. Connect the flight battery to the aircraft. Short the pins until the receiver LED begins to flash rapidly (typically after 5 seconds).
6. Ensure that control surface trims are centered and the throttle and throttle trims are in the low position to correctly set the failsafe.
7. Put your transmitter into bind mode. Refer to your transmitter's manual for binding button or switch instructions.
8. After 5 to 10 seconds, the receiver status LED will become solid, indicating that the receiver is bound to the transmitter. If the LED does not turn solid, refer to the Troubleshooting Guide at the back of the manual.

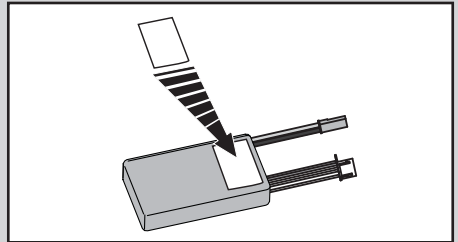


Installing the Flight Battery

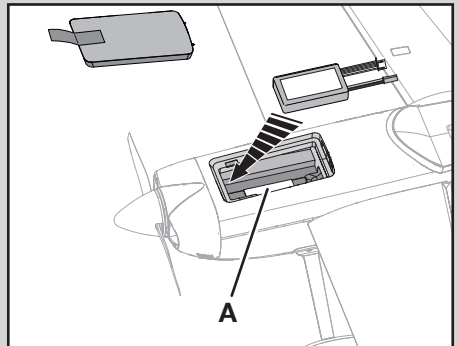
1. Remove the battery hatch from the nose of the aircraft.



2. Apply the included strip of hook and loop tape to the bottom of your battery near the battery leads. This position allows easier battery installation and removal.

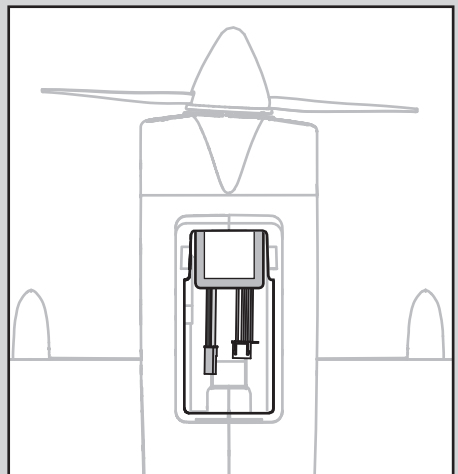


3. For the recommended CG, install the battery fully forward in the compartment (against the firewall), then press the battery onto the hook and loop strip (A). See the Adjusting the Center of Gravity instructions for more information.



4. Connect a fully charged flight battery to the ESC. See the Arming the ESC instructions for correct connection of the battery to the ESC.

5. Reinstall the battery hatch.



CAUTION: Always disconnect the Li-Po battery from the ESC when not flying to eliminate power supplied to the motor. The ESC does not have an arming switch and will respond to any transmitter input when a signal is present.

CAUTION: Always disconnect the Li-Po battery from the ESC when not flying to avoid over-discharging the battery. Batteries discharged to a voltage lower than the lowest approved voltage may become damaged, resulting in loss of performance and potential fire when batteries are charged.

Arming the ESC

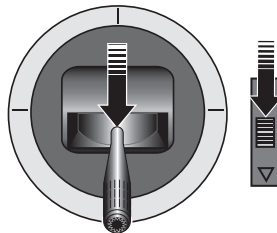
Arming the ESC also occurs after binding as previously described, but subsequent connection of a flight battery requires the steps below.

Tip: If the ESC sounds a continuous double beep after the flight battery is connected, recharge or replace the battery.

If you accidentally connect the battery while the throttle is fully opened, a musical tone will sound after 5 seconds. Disconnect the battery immediately.

⚠ CAUTION: Always keep hands away from the propeller. When armed, the motor will turn the propeller in response to any throttle movement.

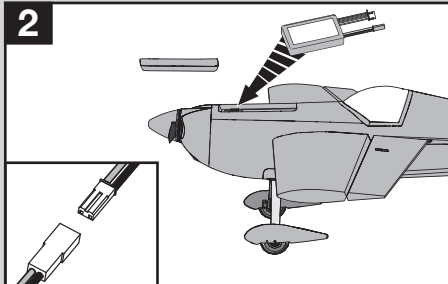
1



Lower throttle and throttle trim to lowest settings.

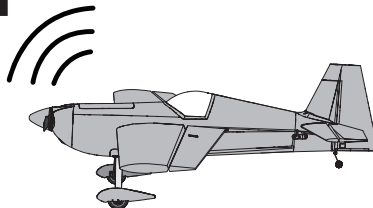
⚡ Power on the Transmitter.

2



Remove the magnetic battery hatch and install the flight battery to the hook and loop strip, then connect the battery to the ESC, noting proper polarity.

3



🔊 Series of tones

💡 Continuous LED

Installing the Wing

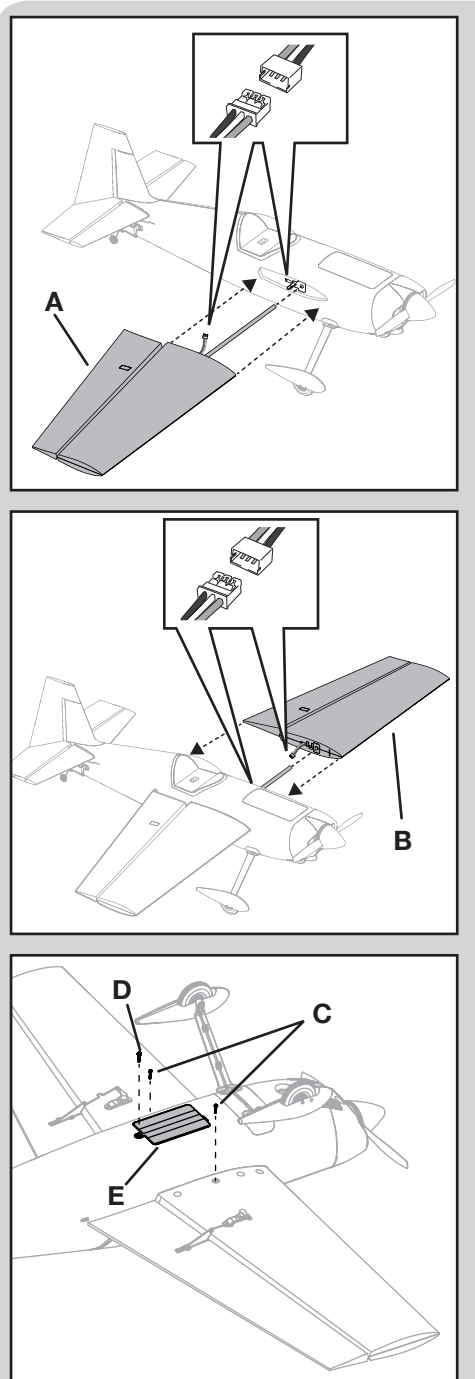
1. Slide the wing tube into the right wing.
2. Insert the right wing with the wing tube (A) into the round hole in the wing slot of the fuselage while connecting the right aileron control.
3. Install the left wing (B) by sliding it over the wing tube to the fuselage while connecting the left aileron control.

NOTICE: When disconnecting the servo connectors, do not pull on the servo wires. Use a screwdriver or pliers to break the friction fit of the servo connectors. Failure to do so could result in damage to the servo wiring.

4. Invert the fuselage so the landing gear is facing up. Secure the left and right wing to the fuselage using the included screws (C).
6. Remove the screw (D) and the receiver cover (E) from the bottom of the fuselage.
7. Connect the aileron servos in the wings to the Y-harness connectors in the fuselage. The left and right aileron servos can be connected to either side of the Y-harness.

Tip: If you are using dual aileron/flaperon transmitter programming, connect the aileron servo connectors to the AILE and AUX1 ports on the receiver instead of using the included Y-harness.

After connecting the servos to the separate ports, program your transmitter for dual aileron/flaperon and differential to benefit from the high performance characteristics of this aircraft.



Control Direction Test

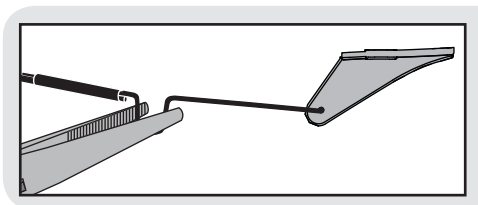
You should bind your aircraft and transmitter before doing these tests. Move the controls on the transmitter to make sure the aircraft control surfaces move correctly and in the proper direction.

Make sure the tail linkages move freely and that paint or decals are not adhered to them.

Control Centering

Before the first flights, or in the event of an accident, make sure the flight control surfaces are centered. Adjust the linkages mechanically if the control surfaces are not centered.

1. Make sure the control surfaces are neutral when the transmitter controls and trims are centered. The transmitter sub-trim must always be set to zero.
2. When needed, use a pair of pliers to carefully bend the metal linkage (see illustration).
3. Make the U-shape narrower to make the connector shorter. Make the U-shape wider to make the linkage longer.

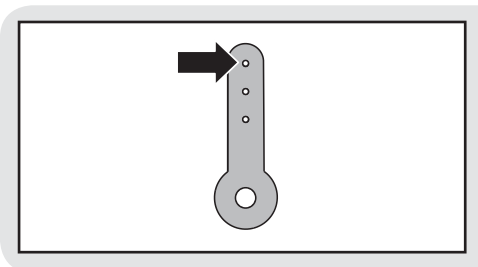


Centering Controls After First Flights

If the model requires excessive transmitter trim (4 or more clicks of trim per channel), return the transmitter trim to zero and adjust the linkages mechanically so that the control surfaces are in the flight trimmed position.

Settings for Servo Arms

The following illustration shows the factory settings for linkages on the servo arms. After flying, you may choose to adjust the linkage positions for the desired control response.



Dual Rates and Expos

We recommend using a DSM radio capable of dual rates and expo. The settings below are recommended starting settings for intermediate pilots. Adjust according to individual preferences after the initial flight.

Tip: For the first flight, fly the model at **LOW RATE**.



For more information, videos and advanced settings for expert pilots, (including Quique explaining how to fly the EFL Micro Edge 540), visit www.E-fliteRC.com/Edge540.

Also available for download are Quique's DX8, DX7s and DX18 programs for this aircraft. This programming is at an expert level and includes some mixing and differential.

Measuring Control Throws

Below are the locations on this aircraft to measure the recommended low and high rate control throws (distance) in both directions.

Rudder:

From the center line (A) deflect the leading edge of the rudder (B).

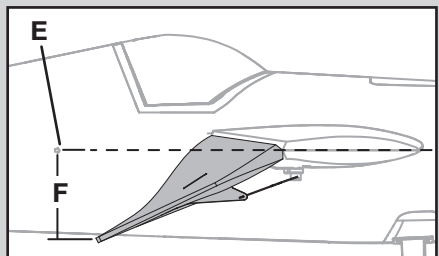
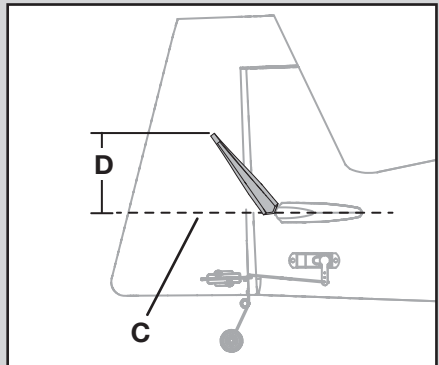
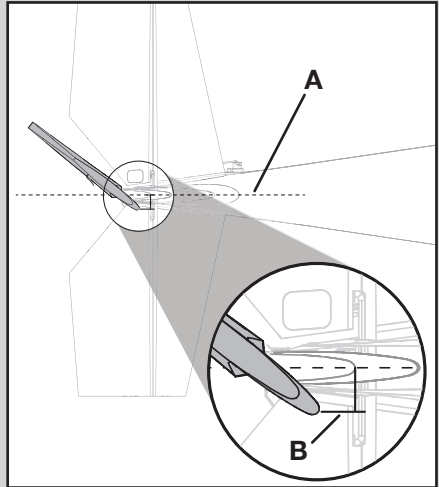
Elevator:

From the center line (C) deflect the trailing edge of the elevator (D).

Ailerons:

From the center line guide (E) deflect the trailing edge of the aileron (F).

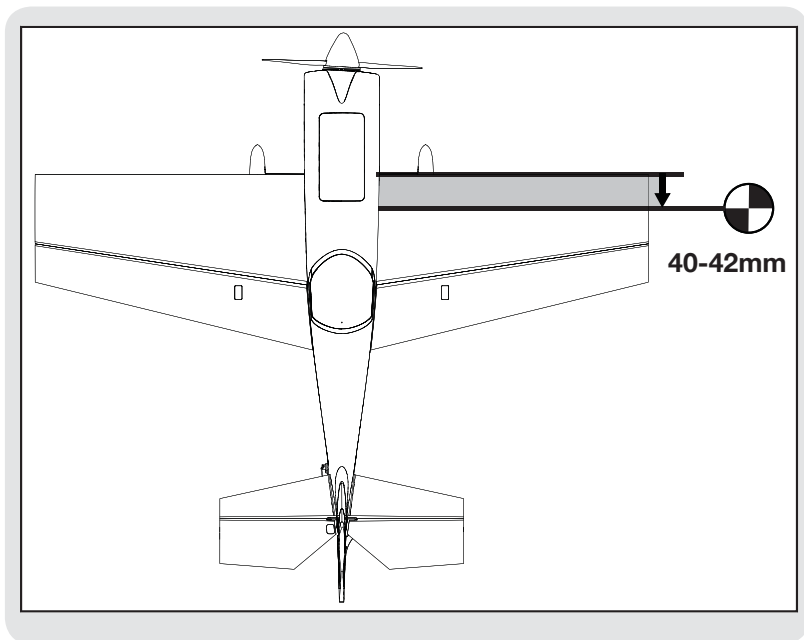
		High Rate	Low Rate
Dual Rates	Aileron	25mm ▲ / ▼	15mm ▲ / ▼
	Elevator	35mm ▲ / ▼	8mm ▲ / ▼
	Rudder	20mm ◀ / ▶	13mm ◀ / ▶
Expo	Aileron	40%	30%
	Elevator	60%	20%
	Rudder	35%	20%



Adjusting Center of Gravity (CG)

The CG location is **40-42mm** back from the leading edge of the wing at the root.

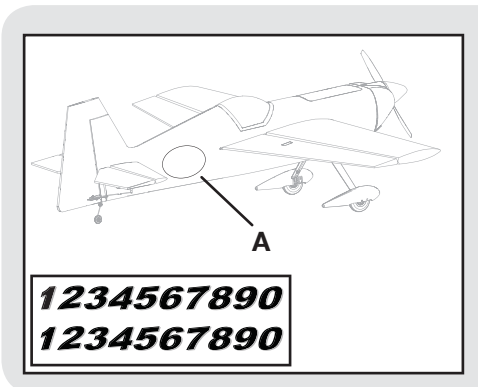
The battery cavity is oversized to allow for Center of Gravity adjustment. Start by placing the battery fully forward against the firewall with the connectors facing the rear of the aircraft. Adjust as needed by sliding the battery back.



Applying Decals

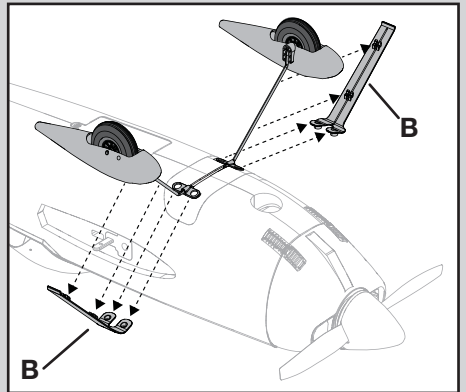
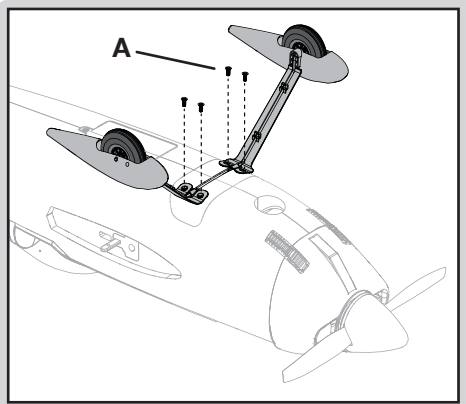
Customize your aircraft by applying water-based number decals (**A**) on both sides of the fuselage.

1. Ensure the fuselage is clean.
2. Cut around the desired numbers on the decal sheet.
3. Soak the decals in water for 10 to 15 seconds.
4. Wet the fuselage with water, then move each decal from the backing to the fuselage.
5. Pat each decal dry with a towel to remove bubbles.
6. Allow the decals to dry.



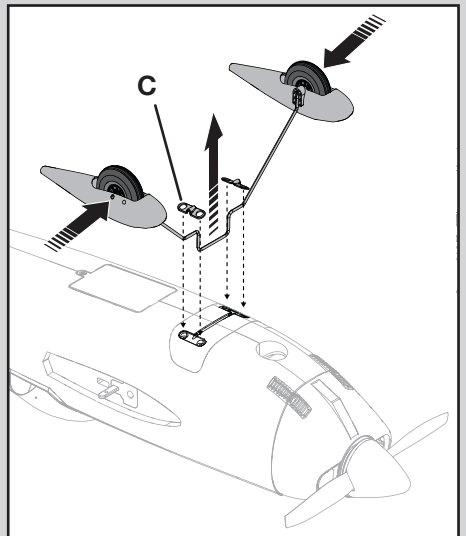
Removing the Landing Gear

1. Remove the 4 screws (A), fairings (B) and covers (C) from the fuselage.



2. Push the landing gear struts together and pull away from the fuselage to remove the landing gear.

Assemble in reverse order.



Flying Tips and Repairs

Consult local laws and ordinances before choosing a location to fly your aircraft.

We recommend flying your *E-flite®* 540 Edge outside in no greater than moderate winds.

Always avoid flying near houses, trees, wires and buildings. You should also be careful to avoid flying in areas where there are many people, such as busy parks, schoolyards or soccer fields.

Takeoff

Place the aircraft in position for takeoff (facing into the wind). Set dual rates to **LOW POSITION** and gradually increase the throttle to $\frac{3}{4}$ to full and steer with the rudder. Pull back gently on the elevator and climb to check trim. Once the trim is adjusted, begin exploring the flight envelope of the aircraft.

Flying

This aircraft is **extremely** responsive to control input. Fly at **low rate** settings until you are familiar with its response.

Fly your first attempts at high rate settings at high altitude and slow speeds.

Landing

Make sure to land into the wind. Fly the aircraft to approximately 36 inches (90 cm) or less above the runway, using a small amount of throttle for the entire descent. Keep the throttle on until the aircraft is ready to flare. During flare, keep the wings level and the aircraft pointed into the wind. Gently lower the throttle while pulling back on the elevator to bring the aircraft down on its wheels.

NOTICE: If a crash is imminent, reduce the throttle and trim fully. Failure to do so could result in extra damage to the airframe, as well as damage to the ESC and motor.

NOTICE: Crash damage is not covered under warranty.

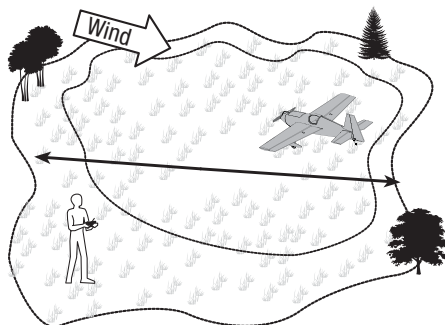
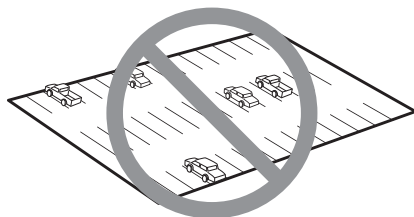
NOTICE: When you are finished flying, never keep the airplane in the sun. Do not store the aircraft in a hot, enclosed area such as a car. Doing so can damage the foam.

Repairs

Repair this aircraft using foam-compatible CA (cyanoacrylate adhesive) glue or clear tape. Only use foam-compatible CA glue as other types of glue can damage the foam.

When parts are not repairable, see the Replacement Parts List for ordering by item number. For a listing of all replacement and optional parts, refer to the list at the back of this manual.

NOTICE: Use of foam-compatible CA accelerant on your aircraft can damage paint. DO NOT handle the aircraft until accelerant fully dries.



Post Flight Checklist

✓	
	1. Disconnect flight battery from ESC (Required for safety and battery life).
	2. Power off transmitter.
	3. Remove flight battery from aircraft.
	4. Recharge flight battery.
	5. Store flight battery apart from aircraft and monitor the battery charge.
	6. Make note of flight conditions and flight plan results, planning for future flights.

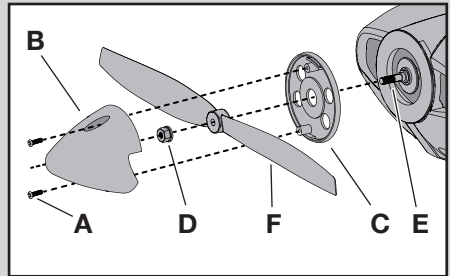
Service of Power Components

Disassembly

⚠ CAUTION: Always disconnect the battery before handling or adjusting the propeller or motor. Failure to do so could result in personal injury.

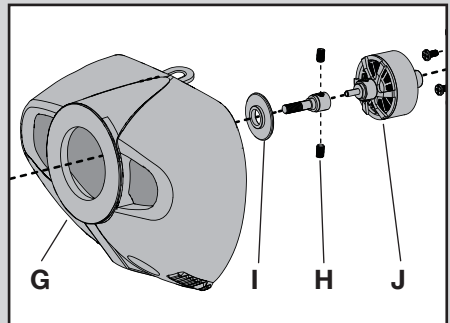
Propeller

1. Remove the 2 screws (A) from the spinner (B). Carefully separate the spinner from the back plate (C).
2. Remove the lock nut (D) from the propeller shaft (E), then remove the propeller (F) and back plate.

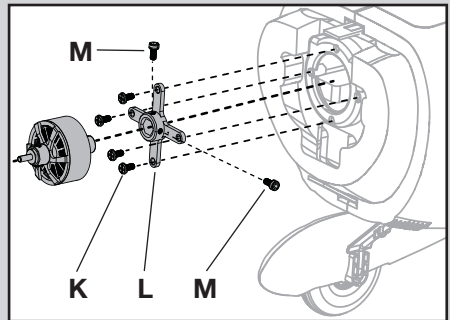


Motor and Firewall

1. Carefully remove the cowling (G) from the fuselage. Paint may hold the cowling on the fuselage.
2. Loosen the setscrews (H) and remove the washer (I) before removing the propeller shaft from the motor (J).



3. Remove the 4 screws (K) and motor mount (L) from the fuselage.
4. Disconnect the motor wires from the ESC.
5. Loosen the setscrews (M) and remove the motor from the motor mount.
6. Assemble in reverse order.



Assembly Tips

- Correctly align and connect the motor wire colors with the ESC wires.
- The propeller size numbers (6.8 x 3.5) must face out from the motor for correct propeller operation.
- Ensure the spinner is fully connected to the spinner back plate for safe operation.

Troubleshooting Guide

Problem	Possible Cause	Solution
Aircraft will not respond to throttle but responds to other controls	ESC did not arm because throttle stick and/or throttle trim too high	Lower throttle stick and throttle trim to lowest setting
	Throttle channel is reversed	Reverse throttle channel on transmitter
	Motor disconnected from ESC	Make sure motor is connected to the ESC
	Servo travel set up is less than 100%	Adjust servo travel to 100% or slightly greater
Extra propeller noise or extra vibration	Damaged propeller, spinner or motor	Replace damaged parts
	Prop nut is too loose	Tighten the prop nut
	Prop is out of balance	Remove and balance propeller, or replace with a balanced propeller.
	Spinner is not tight or fully seated in place	Tighten the spinner or remove the spinner and turn it 180 degrees
Reduced flight time or aircraft underpowered	Flight battery charge is low	Completely recharge flight battery
	Propeller installed backwards	Install propeller properly
	Flight battery damaged	Replace flight battery and follow flight battery instructions
	Flight battery is too cold	Make sure battery is warm before use
	Battery capacity too low for flight conditions	Replace battery or use a larger capacity battery
Aircraft will not Bind (during binding) to transmitter	Transmitter too near aircraft during binding process	Power off transmitter, move transmitter a larger distance from aircraft, disconnect and reconnect flight battery to aircraft and follow binding instructions
	Bind switch or button not held long enough during bind process	Power off transmitter and repeat bind process. Hold transmitter bind button or switch until receiver is bound
	Flight battery/Transmitter battery charge is too low	Replace/recharge batteries
	Bind pins on receiver are not correctly connected	Connect receiver bind pins as instructed and bind transmitter to receiver
	Aircraft or transmitter is too close to large metal object, wireless source or another transmitter.	Move aircraft and transmitter to another location and attempt binding again
Aircraft will not link (after binding) to transmitter	Transmitter too close to aircraft during linking process	Power off transmitter, move transmitter a larger distance from aircraft, disconnect and reconnect flight battery to aircraft
	Flight battery/Transmitter battery charge is too low	Replace/recharge batteries
	Aircraft bound to different model memory (Model-Match™ radios only)	Select correct model memory on transmitter
	Transmitter may have been bound using different DSM protocol	Bind aircraft to transmitter
	Bind pins on receiver are connected	Ensure bind pins on receiver are not connected
	Aircraft or transmitter is too close to large metal object, wireless source or another transmitter	Move aircraft and transmitter to another location and attempt linking again
Control surface does not move	Control surface, control horn, linkage or servo damage	Replace or repair damaged parts and adjust controls
	Wire damaged or connections loose	Do a check of wires and connections, connect or replace as needed
	Flight battery charge is low	Fully recharge flight battery
	Control linkage does not move freely	Make sure control linkage moves freely
Controls reversed	Transmitter settings reversed	Adjust controls on transmitter appropriately
Motor power quickly decreases and increases then motor loses power	Battery voltage is down to the point of receiver/ESC Low Voltage Cutoff (LVC)	Recharge flight battery or replace battery that is no longer performing

Limited Warranty

What this Warranty Covers

Horizon Hobby, Inc. ("Horizon") warrants to the original purchaser that the product purchased (the "Product") will be free from defects in materials and workmanship at the date of purchase.

What is Not Covered

This warranty is not transferable and does not cover (i) cosmetic damage, (ii) damage due to acts of God, accident, misuse, abuse, negligence, commercial use, or due to improper use, installation, operation or maintenance, (iii) modification of or to any part of the Product, (iv) attempted service by anyone other than a Horizon Hobby authorized service center, (v) Product not purchased from an authorized Horizon dealer, or (vi) Product not compliant with applicable technical regulations.

OTHER THAN THE EXPRESS WARRANTY ABOVE, HORIZON MAKES NO OTHER WARRANTY OR REPRESENTATION, AND HEREBY DISCLAIMS ANY AND ALL IMPLIED WARRANTIES, INCLUDING, WITHOUT LIMITATION, THE IMPLIED WARRANTIES OF NON-INFRINGEMENT, MERCHANTABILITY AND FITNESS FOR A PARTICULAR PURPOSE. THE PURCHASER ACKNOWLEDGES THAT THEY ALONE HAVE DETERMINED THAT THE PRODUCT WILL SUITABLY MEET THE REQUIREMENTS OF THE PURCHASER'S INTENDED USE.

Purchaser's Remedy

Horizon's sole obligation and purchaser's sole and exclusive remedy shall be that Horizon will, at its option, either (i) service, or (ii) replace, any Product determined by Horizon to be defective. Horizon reserves the right to inspect any and all Product(s) involved in a warranty claim. Service or replacement decisions are at the sole discretion of Horizon. Proof of purchase is required for all warranty claims. SERVICE OR REPLACEMENT AS PROVIDED UNDER THIS WARRANTY IS THE PURCHASER'S SOLE AND EXCLUSIVE REMEDY.

Limitation of Liability

HORIZON SHALL NOT BE LIABLE FOR SPECIAL, INDIRECT, INCIDENTAL OR CONSEQUENTIAL DAMAGES, LOSS OF PROFITS OR PRODUCTION OR COMMERCIAL LOSS IN ANY WAY, REGARDLESS OF WHETHER SUCH CLAIM IS BASED IN CONTRACT, WARRANTY, TORT, NEGLIGENCE, STRICT LIABILITY OR ANY OTHER THEORY OF LIABILITY, EVEN IF HORIZON HAS BEEN ADVISED OF THE POSSIBILITY OF SUCH DAMAGES. Further, in no event shall the liability of Horizon exceed the individual price of the Product on which liability is asserted. As Horizon has no control over use, setup, final assembly, modification or misuse, no liability shall be assumed nor accepted for any resulting damage or injury. By the act of use, setup or assembly, the user accepts all resulting liability. If you as the purchaser or user are not prepared to accept the liability associated with the use of the Product, purchaser is advised to return the Product immediately in new and unused condition to the place of purchase.

Law

These terms are governed by Illinois law (without regard to conflict of law principals). This warranty gives you specific legal rights, and you may also have other rights which vary from state to state. Horizon reserves the right to change or modify this warranty at any time without notice.

WARRANTY SERVICES

Questions, Assistance, and Services

Your local hobby store and/or place of purchase cannot provide warranty support or service. Once assembly, setup

or use of the Product has been started, you must contact your local distributor or Horizon directly. This will enable Horizon to better answer your questions and service you in the event that you may need any assistance. For questions or assistance, please visit our website at www.horizonhobby.com, submit a Product Support Inquiry, or call 877.504.0233 toll free to speak to a Product Support representative.

Inspection or Services

If this Product needs to be inspected or serviced and is compliant in the country you live and use the Product in, please use the Horizon Online Service Request submission process found on our website or call Horizon to obtain a Return Merchandise Authorization (RMA) number. Pack the Product securely using a shipping carton. Please note that original boxes may be included, but are not designed to withstand the rigors of shipping without additional protection. Ship via a carrier that provides tracking and insurance for lost or damaged parcels, as Horizon is not responsible for merchandise until it arrives and is accepted at our facility. An Online Service Request is available at Horizon Hobby Service Center. If you do not have internet access, please contact Horizon Product Support to obtain a RMA number along with instructions for submitting your product for service. When calling Horizon, you will be asked to provide your complete name, street address, email address and phone number where you can be reached during business hours. When sending product into Horizon, please include your RMA number, a list of the included items, and a brief summary of the problem. A copy of your original sales receipt must be included for warranty consideration. Be sure your name, address, and RMA number are clearly written on the outside of the shipping carton.

NOTICE: Do not ship LiPo batteries to Horizon. If you have any issue with a LiPo battery, please contact the appropriate Horizon Product Support office.

Warranty Requirements

For Warranty consideration, you must include your original sales receipt verifying the proof-of-purchase date. Provided warranty conditions have been met, your Product will be serviced or replaced free of charge. Service or replacement decisions are at the sole discretion of Horizon.

Non-Warranty Service

Should your service not be covered by warranty, service will be completed and payment will be required without notification or estimate of the expense unless the expense exceeds 50% of the retail purchase cost. By submitting the item for service you are agreeing to payment of the service without notification. Service estimates are available upon request. You must include this request with your item submitted for service. Non-warranty service estimates will be billed a minimum of ½ hour of labor. In addition you will be billed for return freight. Horizon accepts money orders and cashier's checks, as well as Visa, MasterCard, American Express, and Discover cards. By submitting any item to Horizon for service, you are agreeing to Horizon's Terms and Conditions found on our website Horizon Hobby Service Center.

NOTICE: Horizon service is limited to Product compliant in the country of use and ownership. If non-compliant product is received by Horizon for service, it will be returned unserviced at the sole expense of the purchaser.

Warranty and Service Information

Country of Purchase	Horizon Hobby	Address	Phone Number/Email Address
United States of America	Horizon Service Center (Electronics and engines)	4105 Fieldstone Rd Champaign, Illinois 61822 USA	877-504-0233 Online Repair Request visit: www.horizonhobby.com/service
	Horizon Product Support (All other products)	4105 Fieldstone Rd Champaign, Illinois 61822 USA	877-504-0233 productsupport@horizonhobby.com
United Kingdom	Horizon Hobby Limited	Units 1-4 Ployters Rd Staple Tye Harlow, Essex CM18 7NS United Kingdom	+44 (0) 1279 641 097 sales@horizonhobby.co.uk
Germany	Horizon Technischer Service	Christian-Junge-Straße 1 25337 Elmshorn Germany	+49 (0) 4121 2655 100 service@horizonhobby.de
France	Horizon Hobby SAS	11 Rue Georges Charpak 77127 Lieusaint	+33 (0) 1 60 18 34 90 infofrance@horizonhobby.com
China	Horizon Hobby – China	Room 506, No. 97 Changshou Rd. Shanghai, China, 200060	+86 (021) 5180 9868 info@horizonhobby.com.cn

Compliance Information for the European Union

Declaration of Conformity

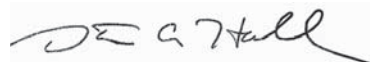
(in accordance with ISO/IEC 17050-1)
No. HH2012081902

CE	Product(s):	EFL Micro Edge 540 BNF Basic
	Item Number(s):	EFL6250
	Equipment class:	1

The object of declaration described above is in conformity with the requirements of the specifications listed below, following the provisions of the European R&TTE Directive 1999/5/EC and EMC Directive 2004/108/EC:

EN 301 489-1 V1.7.1: 2006
EN 301 489-17 V1.3.2: 2008

EN55022: 2010
EN55024: 2010



Signed for and on behalf of:
Horizon Hobby, Inc.
Champaign, IL USA
Aug 19, 2012

Steven A. Hall
Executive VP – Chief Operating Officer
International Operations and Risk Management
Horizon Hobby, Inc.

Instructions for disposal of WEEE by users in the European Union



This product must not be disposed of with other waste. Instead, it is the user's responsibility to dispose of their waste equipment by handing it over to a designated collections point for the recycling of waste electrical and electronic equipment. The separate collection and recycling of your waste equipment at the time of disposal will help to conserve natural resources and ensure that it is recycled in a manner that protects human health and the environment. For more information about where you can drop off your waste equipment for recycling, please contact your local city office, your household waste disposal service or where you purchased the product.

Replacement Parts – Ersatzteile – – Pièces de rechange – Recapiti per i ricambi –

Part # • Nummer Numéro • Codice	Description	Beschreibung	Description	Descrizione
EFL625001	Fuselage with rudder: EDGE 540QQ 280 BNF Basic	E-flite Edge 540 QQ : Rumpf mit Ruder	Fuselage avec dérive : EDGE 540QQ 280 BNF Basic	Fusoliera con timone: EDGE 540QQ 280 BNF Basic
EFL625002	Wing Set: EDGE 540QQ 280 BNF Basic	E-flite Edge 540 QQ : Tragflächen	Paire d'ailes : EDGE 540QQ 280 BNF Basic	Set ala: EDGE 540QQ 280 BNF Basic
EFL625003	Battery Hatch: EDGE 540QQ 280 BNF Basic	E-flite Edge 540 QQ : Akkuklappe	Trappe à batterie : EDGE 540QQ 280 BNF Basic	Sportellino batteria: EDGE 540QQ 280 BNF Basic
EFL625004	Cowling: EDGE 540QQ 280 BNF Basic	E-flite Edge 540 QQ : Motorhaube	Capot : EDGE 540QQ 280 BNF Basic	Capottina motore: EDGE 540QQ 280 BNF Basic
EFL625005	Stab Set: EDGE 540QQ 280 BNF Basic	E-flite Edge 540 QQ : Höhenruder Set	Set de stabilisateur : EDGE 540QQ 280 BNF Basic	Set stabilizzatore: EDGE 540QQ 280 BNF Basic
EFL625006	Landing Gear/Wheel Pants set: EDGE 540QQ 280	E-flite Edge 540 QQ : Fahrwerk / Radschuhe Set	Train avec roues : EDGE 540QQ 280 BNF Basic	Set carrello/Carenature ruote: EDGE 540QQ 280
EFL625007	Wing Tube: EDGE 540QQ 280 BNF Basic	E-flite Edge 540 QQ : Tragflächenverbinder	Clé d'aile : EDGE 540QQ 280 BNF Basic	Tube ala: EDGE 540QQ 280 BNF Basic
EFL625009	Pushrod & Control Horn Set: EDGE 540QQ 280	E-flite Edge 540 QQ: Gestänge und Ruderhorn Set	Tringleries et guignols : EDGE 540QQ 280 BNF Basic	Set comandi e squadrette: EDGE 540QQ 280
EFLA7300	10-Amp Brushless ESC	E-flite 10-Amp Brushless ESC	Contrôleur brushless 10A	Regolatore (ESC) brushless 10A
EFLR7100	3.5 g Digital Sub-Micro Servo	E-flite 3.5g Digital Servo	Sub-micro servo digital 3.5g	Servo digitale submicro da 3,5g
EFLM7010	BL 280 Outrunner Motor, 1800Kv	E-flite BL 280 Außenläufer Motor 1800Kv	Moteur BL 280 à cage tournante, 1800Kv	BL 280 motore a cassa rotante, 1800Kv
EFL625011	Decal Set: EDGE 540QQ 280	E-flite Edge 540 QQ : Dekorbogen	Planche de décoration : EDGE 540QQ 280 BNF Basic	Set decals: EDGE 540QQ 280
EFL625012	Servo Extension set: Micro	E-flite Edge 540 QQ : Dekorbogen	Set de rallonges pour servo	Set prolunghe: Micro
EFLP6835E	6.8x3.5 Electric Propeller	E-flite 7x3 Elektro Propeller	Hélice électrique 6.8 x 3.5	6.8x3.5 Elica per motore elettrico
SPMAR6310	AR6310 DSMX Nanolite 6-Channel Receiver	Spektrum 6 Kanal Nanolite Empfänger DSM X	Récepteur AR6310 DSMX Nanolite 6 voies	AR6310 DSMX Ricevitore Nanolite a 6 canali
EFL625010	Motor Shaft: Edge 540QQ 280	E-flite Edge 540 QQ : Motorwelle	Axe moteur : EDGE 540QQ 280 BNF Basic	Albero motore: Edge 540QQ 280
EFLR710001	Gear Set: EFLR7100	E-flite Getriebe Set: EFLR7100	Jeu de pignons : EFLR7100	Set ingranaggi: EFLR7100
EFLR710002	Servo Arm Set: EFLR7100	E-flite Servo Arm Set: EFLR7100	Set de bras de servo : EFLR7100	Set squadrette servi: EFLR7100

– Optional Parts and Accessories –
– Optionale Bauteile und Zubehörteile –
– Pièces optionnelles et accessoires –
– Parti opzionali e accessori –

Part # • Nummer Numéro • Codice	Description	Beschreibung	Description	Descrizione
EFLA230	Charger Lead with JST Female	E-flite Ladekabel m/ JST Buchse	Câble de charge avec prise JST femelle	Cavo di carica con femmina JST
EFLA250	Park Flyer Tool Assortment, 5 pc	Park Flyer Werkzeug-assortiment, 5 teilig	Assortiment d'outils park flyer, 5pc	Park Flyer assortimento attrezzi, 5 pc
EFLB4503SJ30	450mAh 3S 11.1V 30C Li-Po, 18AWG JST	450mAh 3S 11.1V 30C Li-Po, 18AWG JST Akku	Batterie Li-Po 11.1V 3S 450mA 30C, 18AWG JST	Batteria Li-Po450mAh 3S 11.1V 30C, 18AWG JST
EFLC3005	DC 1-3S Li-Po Charger	DC 1-3S Li-Po Ladegerät	Chargeur Li-Po DC 1-3S	Caricabatterie Li-Po CC da 1-3S
	DX6i DSMX 6-Channel Transmitter	DX6i DSMX 6-Kanal Sender	Emetteur DX6i DSMX 6 voies	DX6i DSMX Trasmettitore 6 canali
	DX7s DSMX 7-Channel Transmitter	Spektrum DX7s 7 Kanal Sender	Emetteur DX7s DSMX 7 voies	DX7s DSMX Trasmettitore 7 canali
	DX8 DSMX Transmitter	Spektrum DX8 nur Sender	Emetteur DX8 DSMX 8 voies	DX8 DSMX trasmettitore 8 canali
	DX18 DSMX Transmitter	Spektrum DX18 nur Sender	Emetteur DX18 DSMX 18 voies	DX18 DSMX trasmettitore 18 canali

– Parts Contact Information –
– Intaktinformationen für Ersatzteile –
– Coordonnées pour obtenir de pièces détachées –
– Recapiti dei distributori –

Country of Purchase	Horizon Hobby	Address	Phone Number/Email Address
United States	Sales	4105 Fieldstone Rd Champaign, Illinois, 61822 USA	800-338-4639 sales@horizonhobby.com
United Kingdom	Horizon Hobby Limited	Units 1-4 Ployters Rd Staple Tye Harlow, Essex CM18 7NS, United Kingdom	+44 (0) 1279 641 097 sales@horizonhobby.co.uk
Germany	Horizon Hobby GmbH	Christian-Junge-Straße 1 25337 Elmshorn, Germany	+49 (0) 4121 2655 100 service@horizonhobby.de
France	Horizon Hobby SAS	11 Rue Georges Charpak 77127 Lieusaint	+33 (0) 1 60 18 34 90 infofrance@horizonhobby.com
China	Horizon Hobby – China	Room 506, No. 97 Changshou Rd. Shanghai, China, 200060	+86 (021) 5180 9868 info@horizonhobby.com.cn

© 2012 Horizon Hobby, Inc.

E-flite, Celectra, DSM, DSM2, ModelMatch, and Bind-N-Fly are trademarks or registered trademarks of Horizon Hobby, Inc.

DSMX is a trademark of Horizon Hobby, Inc., registered in the U.S.

The Spektrum trademark is used with permission of Bachmann Industries, Inc.

Futaba is a registered trademark of Futaba Denshi Kogyo Kabushiki Kaisha Corporation of Japan.

Patents pending.

www.e-fliterc.com

